

MassCare Ltd

11 Waterside Way, Middlewich, Cheshire, CW10 9HP, UK

Tel/Fax: +44 (0) 1606 834954

Mobile +44 (0) 7779 607976

Email: MassCare2000@aol.com

Web: www.masscare.co.uk

Technical Information

TechnoSim LH0041CJ- 01

MassCare Part Number MC-07499T

A pin-compatible, functionally equivalent replacement for the discontinued National Semiconductor LH0041CJ High Power Operational Amplifier.

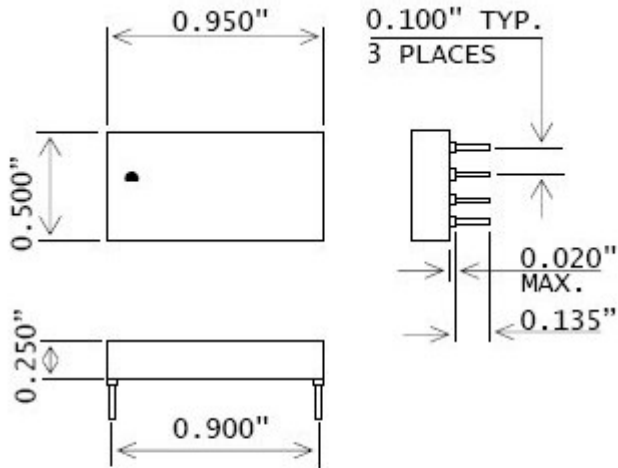
The specifications for the device are shown on the following page

SPECIFICATION:

- 1 High Power Operational Amplifier
- 2 8-Pin TDIL. For dimensions see drawing below.
- 3 Temperature Range:
 Operating Range: -40°C to +125°C
 Storage Range: -55°C to +125°C
- 4. Performance Characteristics:
 - 4.1 Maximum Output Voltage:
 Positive (+V_{CC}) -1.9VDC at I_{OUT} = 200mA
 Negative (-V_{CC}) +1.3VDC at I_{OUT} = 200mA
 - 4.2 Maximum Output Current: 200mA
 - 4.3 Input Offset Voltage +/-3mV (typ), +/-6mV (max)
 - 4.4 Input Offset Current +/-5nA (typ), +/-50nA (max)
 - 4.5 Common Mode Rejection Ratio 95dB (typ) 80dB (min)
 - 4.6 Input Impedance
 Differential 10⁷ Ohms/6pF
 Common-Mode 10⁹ Ohms/4pF
 - 4.7 Slew Rate: 6V/msec.
 - 4.8 Operating Voltage Range: +/-4V to +130VDC
 - 4.9 Quiescent Current: +/-10mA at V_{OUT}=0

5. Pin Connections:

- Pin 1 - VCC-
- Pin 2 - Not Connected
- Pin 3 - Ground
- Pin 4 - VCC+
- Pin 5 - Comp
- Pin 6 - Output
- Pin 7 - Inverting Input
- Pin 8 - Non-Inverting Input



PIN LOCATIONS - VIEWED FROM ABOVE



● ORIENTATION MARK AT PIN #1 END

CONFIGURATION OPTIONAL WITHIN DIMENSIONAL LIMITS SHOWN